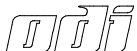


Dimensions listed are : Tooling Part Installed

PROJECT DRAIN 90°		 3016 Kansas Ave. Bldg. 3 Riverside, CA 92507 T 951 786-4750 F 951 684-9445		
MATERIAL				
UNLESS OTHERWISE SPECIFIED DIMENSIONS ARE IN INCHES TOLERANCES ARE: FRACTIONS ANGLES DECIMALS +/- 1 XX+/- .020 XXX +/- .010		DRAWN	ART	10/28/19
		ISSUED	E.A	
		APPROVED	C.Y	
		SCALE		REV.